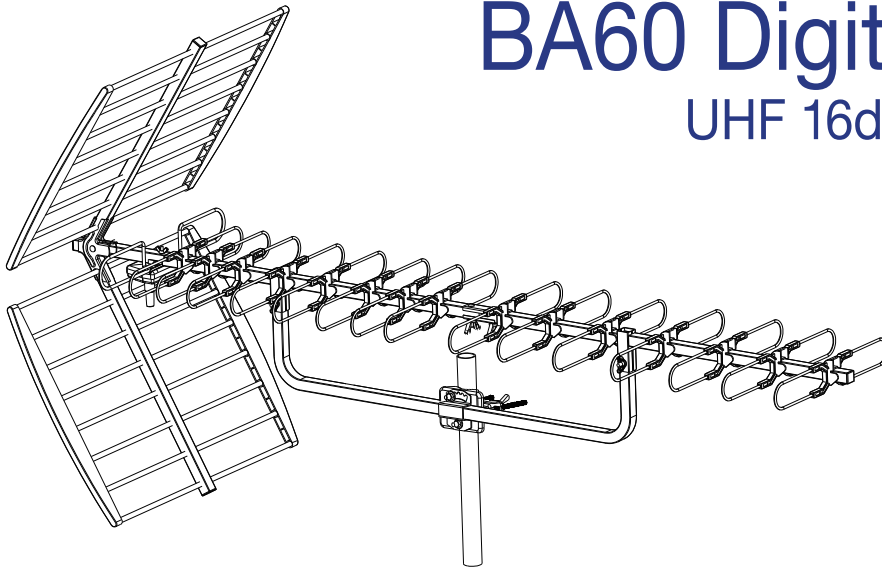


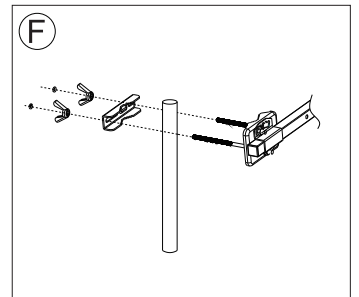
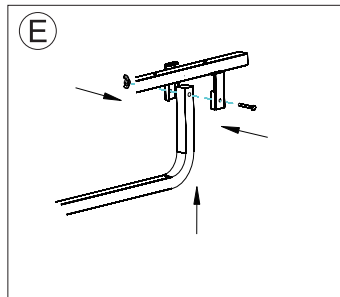
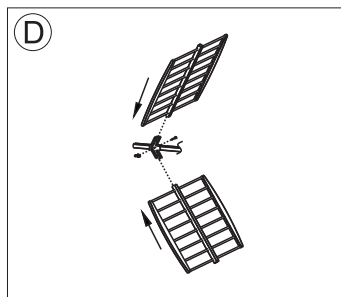
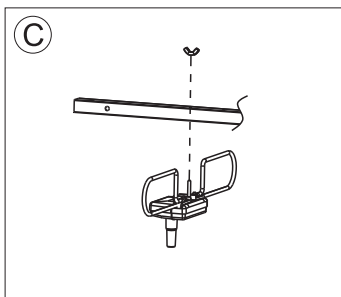
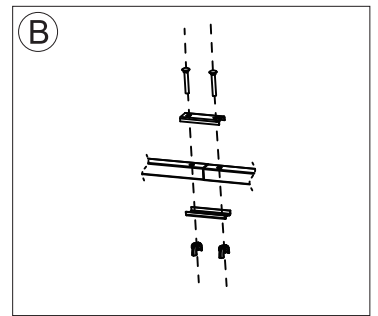
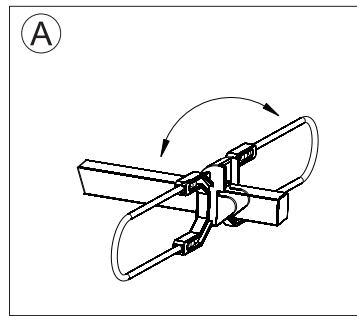
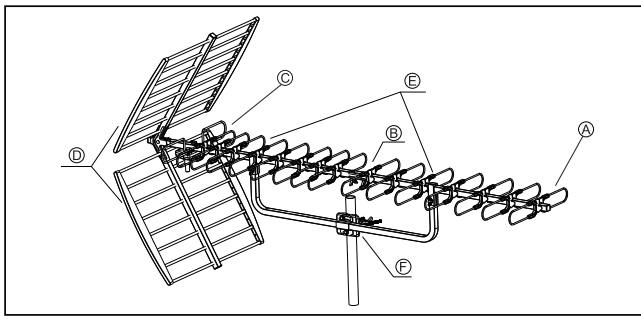
# BA60 Digital TV Antenna

## UHF 16dB C21-C69 F connector



Specification	
Frequency	470~862 MHz
Channels	21~69
Impedance	75Ω
No.of elements	33
Gain	11~16 dBi
Front-back ratio	15~25 dB
Beamwidth Horizontal	37°
Beamwidth Vertical	42°
Length	1489mm

### Antenna Installation



Specifications subject to change without notice.

